

Junction Box for Series-Resistance Heating Cables

The junction box for series-resistance heating cables SNF is designed for connection of heating cables to power network. The junction box could be mounted on a wall of a building or using a bracket directly on a pipe/vessel surface. The box enables connection of SNF cable heating sections to power cable. The junction box is used as a part of heat tracing systems for pipelines and vessels in non-hazardous areas.

The junction box design ensures moisture and dust ingress protection IP66 and high corrosion stability. The junction box is available with cable glands for connection of unarmored power and heating cables. The installed terminal blocks ensure fast and safe connection of multi-core or single-core conductors. The boxes are available with screw clamp terminals as well as with push-in terminals.

Features

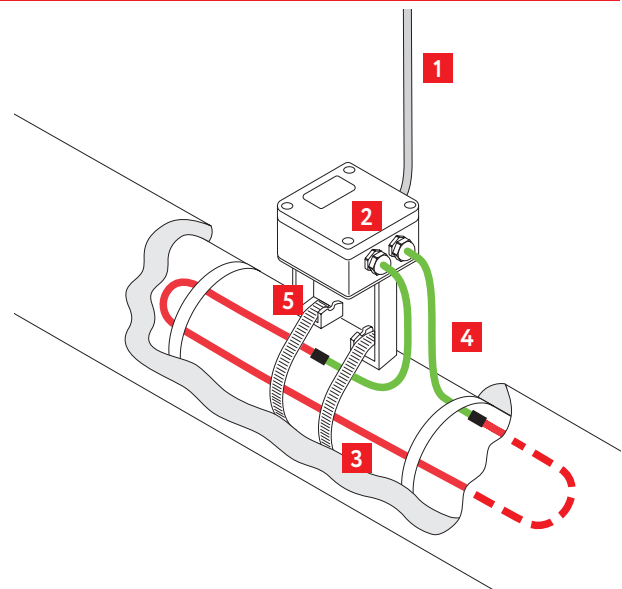
- Non-hazardous area approved solution
- Perfect solution for installation of series-resistance cables SNF through thermal insulation
- Excludes the risk of damage to heating cables
- All required component parts are included
- Quick and easy installation
- High thermal stability
- Non-corrosive

Application Areas

- Temperature maintenance or freeze protection of pipelines and vessels in non-hazardous areas



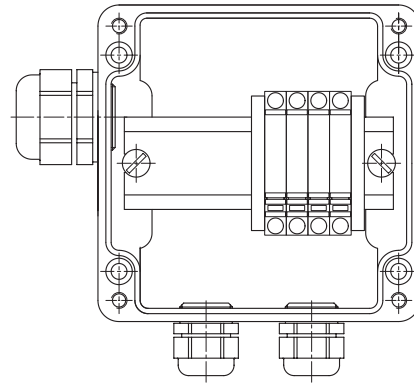
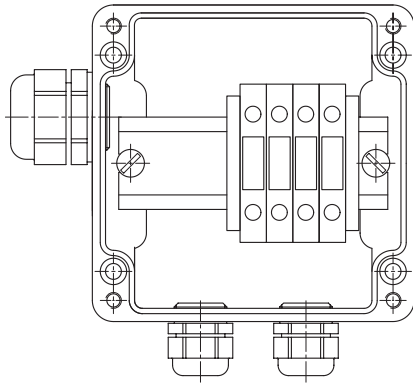
JB2212-...-2xxxx



1. Power cable
2. JB2212-...-2xxxx junction box
3. Heating cable
4. Connection cable (cold lead)
5. Bracket

Junction Boxes

Construction



JB2221-223-2xxxx box with screw clamp (left) and push-in (right) terminal block. Number of terminals and cable glands could differ from drawings.

Technical Data

| | | |
|---------------------------|----------------------------------|---------------|
| Degree of protection | IP66 | |
| Ambient temperature range | -55...+55 °C | |
| Operating voltage | max. 750 V | |
| Operating current | JB2212-223... | max. 32 A |
| | JB2212-333... | max. 50A |
| | JB2212-523... | max. 50A |
| Dimensions enclosure | JB2212-223... | 122×120×90 mm |
| | JB2212-333... | 160×160×90 mm |
| | JB2212-533... | 260×160×90 mm |
| Weight | JB2212-223.. | 1.2 kg |
| | JB2212-333... | 1.8 kg |
| | JB2212-533... | 2.2 kg |
| Box material | Glass fiber reinforced polyester | |
| Color | Grey | |

Application types

| Application | Terminals | Name |
|------------------------------------|----------------------|------------------|
| Loop to Power JB2221-223-2xxxx | | |
| 1x M25x1.5 | screw, 1L, 1N, 2PE | JB2212-223-21380 |
| 2x M20x1.5 | push-in, 1L, 1N, 2PE | JB2212-223-22380 |
| Star to Power JB2221-333-2xxxx | | |
| 1x M25x1.5 | screw, 3L, 3N, 2PE | JB2212-333-21380 |
| 3x M20x1.5 | push-in, 3L, 3N, 2PE | JB2212-333-22380 |
| Delta to Power JB2221-533-2xxxx | | |
| 1x M25x1.5 | screw, 7L, 6PE | JB2212-533-21130 |
| 6x M20x1.5 | push-in, 7L, 6PE | JB2212-533-22130 |

° Terminal jumpers L-L-L and N-N-N

°° Terminal jumpers L-L and L-L-L

Approvals



° Certification is underway

Types

| Name | Order code |
|------------------|------------|
| JB2212-223-21380 | 2210001614 |
| JB2212-223-22380 | 2210001615 |
| JB2212-333-21380 | 2210001618 |
| JB2212-333-22380 | 2210001619 |
| JB2212-533-21130 | 2210001622 |
| JB2212-533-22130 | 2210001623 |

Accessories (to be ordered separately)

Brackets PB, KP, PL.JB0606 – for mounting the box onto the pipeline.

Z-profile – for mounting the box onto a metal structure or onto a wall.

Metal pipe strap PFS/3 – for mounting the bracket onto a pipeline.

Flexible sealed gland FSG – for mechanical protection of cables in open space sets.

Cable entry unit LEK/U – for penetrating of thermal insulation.